



**GUSELLA**  
EQUIPMENT

TAKE IT EASY



New

**SCT**

# SCT Working with You for 50 years

The long-standing model by Gusella celebrates a new anniversary



Already in 1962  
Gusella manufactured  
the first polyp grab in  
the world without  
central column.

**Protection becomes  
structure**

# **SCT** A little hero

Polyp grab for truck crane loaders



- ▶ Strong
- ▶ Protected
- ▶ Reliable
- ▶ Performing
- ▶ Light
- ▶ Easy maintenance

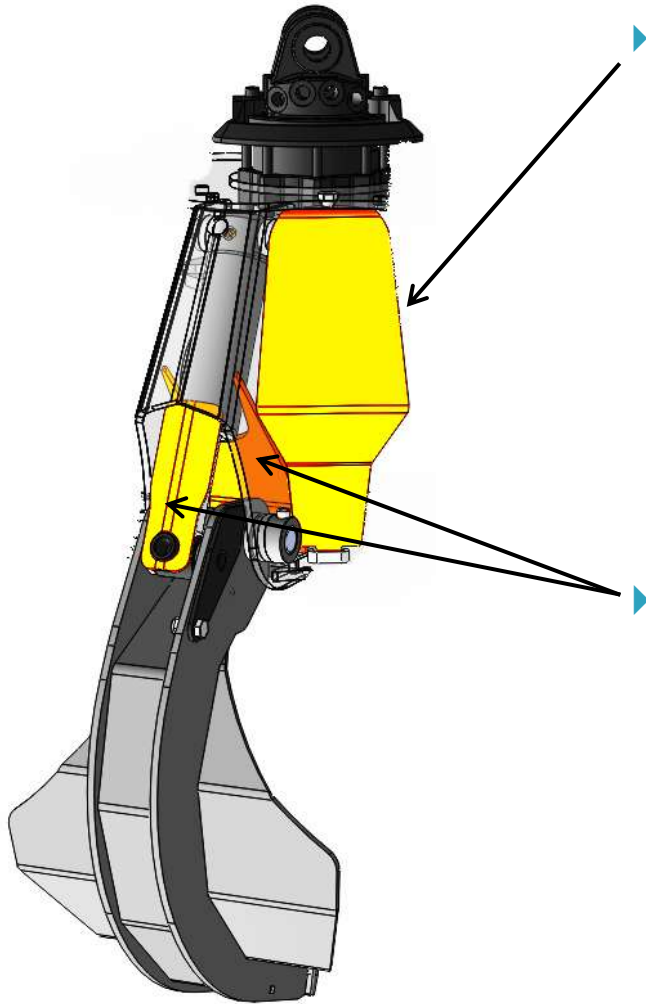
# SCT Strong



## ▶ Central base

- Entirely built in very high-quality anti-cracking steel.
- The base, with its press-formed structure, has a modern and innovative design and at the same time it offers strong protection to cylinders, a distinguishing mark by Gusella.
- The base was designed with the shortest welding length ever to make it less exposed to breaks also in case of high stress.

# SCT Protected



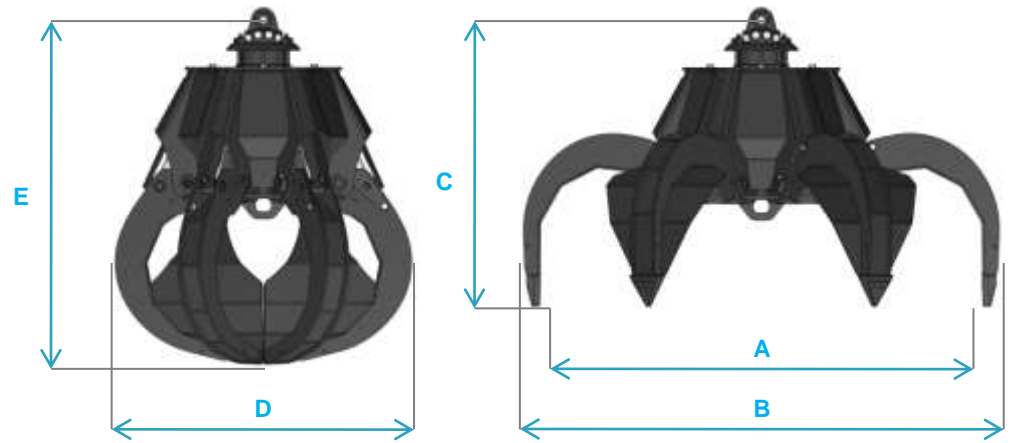
## ▶ Removable safety shelters

- Strong casings protect the hydraulic components from material that might enter into the central base
- **5 minutes!** This is how much it takes to replace a flexible hose, if necessary

## ▶ Safety guards

- A plate placed inside the central base prevents material intrusion
- Cylinders are fitted with strong shaft protection plates

# Technical data



Model (With rotator)	Capacity Lt.	Weight Kg.	No. teeth	Pressure max (bar)	A	B	C	D	E
SCT305/K/0	300	508	5	320	1635	1765	1075	1100	1290
SCT306/K/0	300	558	6	320	1635	1765	1075	1100	1290